

TABARELLI

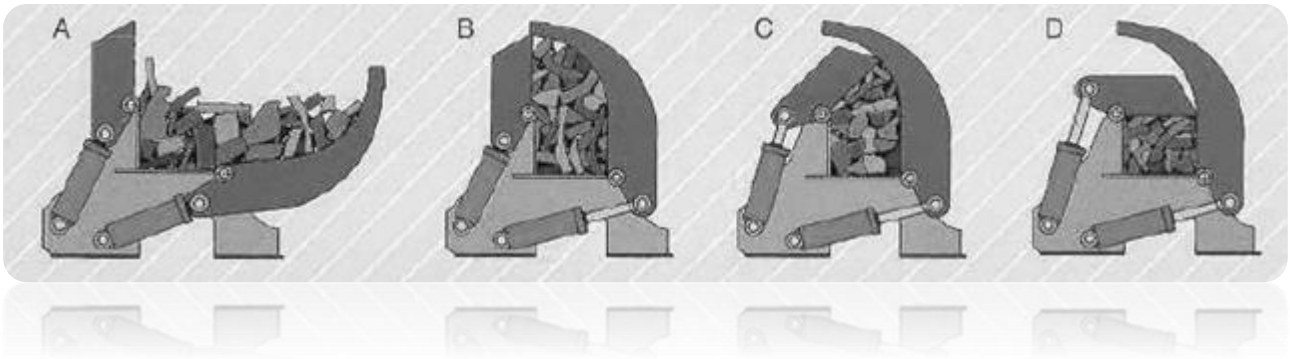
idromec

RB5000

HEAVY DUTY BALER FOR CARS AND MIXED SCRAP



www.idromecspa.com



Charging box dimensions: **length 5000 mm**
 open box width 2450 mm
 closed box dimensions 1000 x 600 mm

2 opposite baling cylinders by 136t each

3 cylinders per lid (240 tons per lid)

Box liners in HARDOX 400

VOLVO diesel engine, 4 cylinders in line, water cooled, max power 175 HP with electronic injection pump

Axial REXROTH variable displacement piston pump and double gear pump

Max working pressure 300 bar

Heat exchanger for hydraulic oil

Liquid drain basin

Optional:

In-tank complete oil filtering

PLC controled automatic baling cycle

Loading arm controlled by independent distributor and hydraulic actuators

Boom reach: 7,2 mt from main bearing center

Rotation: 360° continuous

4 teeth grab and rotator

4 hydraulic stabilizers (if semi-mobile)

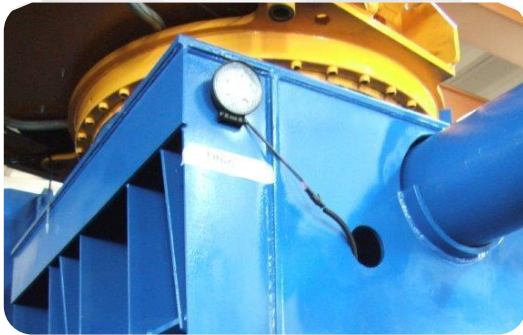
3 axles trailer (if mobile)



2 opposite baling cylinders, the crane picks up the bale in the middle of the box



Engine's sound proofing case



Crane with slewing ring for granting endless 360° rotation

... and more optionals

- ✓ POWERPACK
- ✓ REPLACEABLE HARDOX FLOOR
- ✓ LINEAR SENSORS IN BALING CYLINDERS AND LIDS' CYLINDERS
- ✓ FLAT LIDS' CYLINDERS PROTECTIONS
- ✓ AUTOLUBE OF THE BOX GREASING POINTS
- ✓ ENGINE'S HEATING
- ✓ ENHANCED DIESEL TANK
- ✓ AIR CONDITION
- ✓ SPOT LIGHTS
- ✓ REMOTE CONTROL

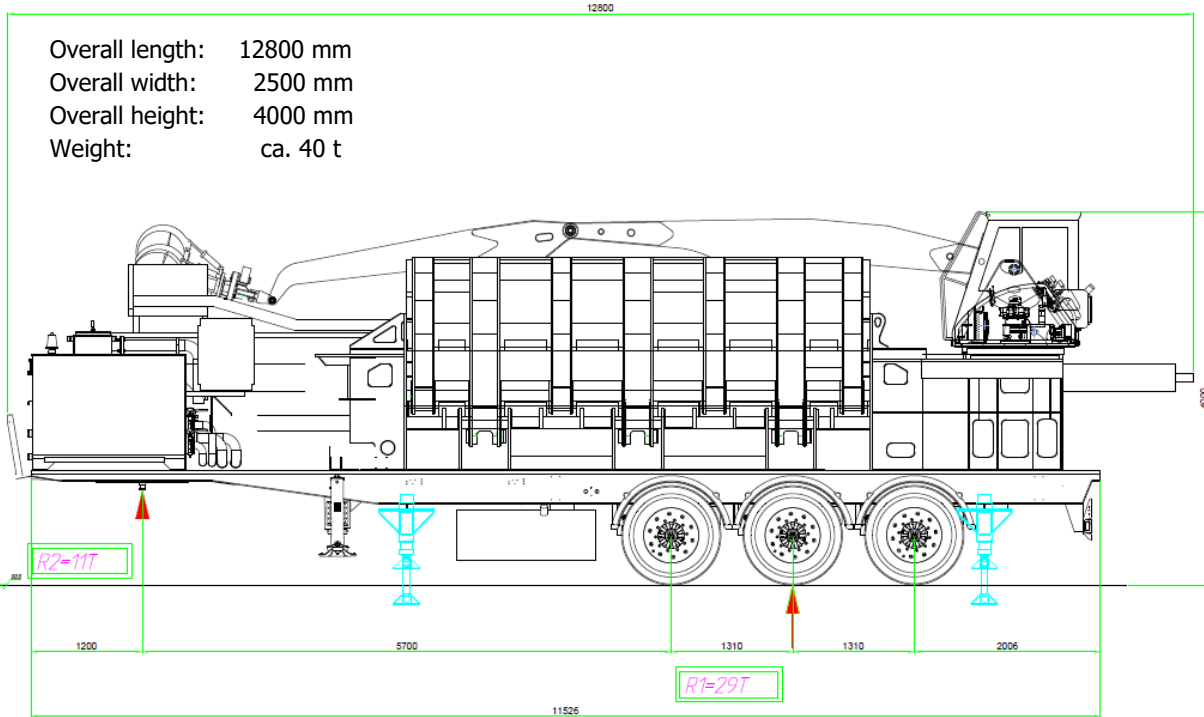


Dimensions

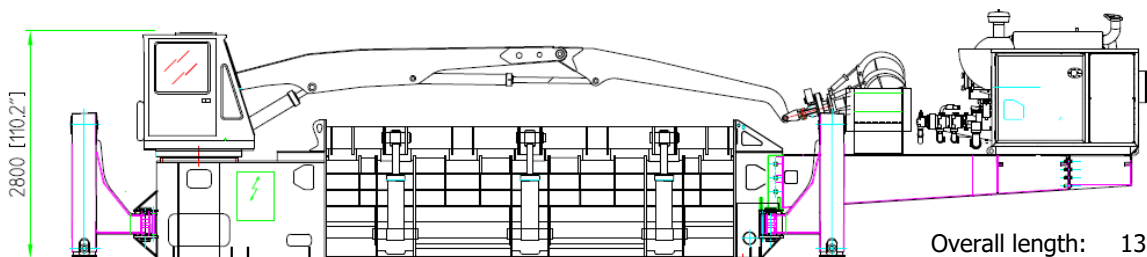
the many optional features of the machine and the required customization by the customer make vary the size and the weight of the baler. Below you find possible solutions

MOBILE

Overall length: 12800 mm
 Overall width: 2500 mm
 Overall height: 4000 mm
 Weight: ca. 40 t



SEMIMOBILE



Overall length: 13240 mm
 Overall width: 2500 mm
 Overall height: 2800 mm
 Weight: ca. 35 t

The manufacturer reserves the right to change the specifications

ABARELLI | *idromec*

Mozzecane – Italy

info@idromecspa.com - www.idromecspa.com